



Compensator de presiune exterioara X-PRESSED EXPANSION JOINTS

Compensatorul de presiune exterioara este proiectat pentru ca presiunea sa fie extern. Acele miscari axiale lungi sunt posibile, si nu pot fi acomodate cu presiunea interioara.

Constructie:

Proiectat si fabricat in conditiile impuse de EJMA si in conformitate cu conditiile de temperatura si presiune din DIN 2401.

Materiale:

Fabricat din otel conform cu DIN 17440.
Conexiunile finale fie din otel fie din otel carbonat.

Conexiuni:

Flanse fixe si capete sudate.

Diametre nominale:

DN 25(1")-DN 1500(60")

Presiune:

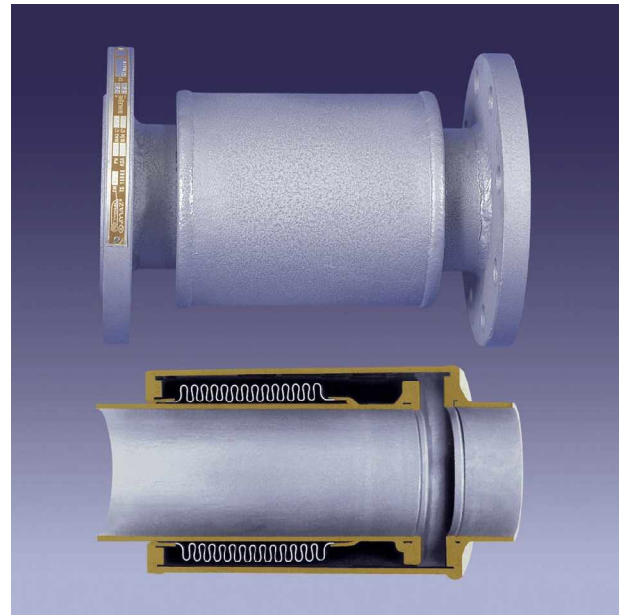
Maxima: 40 bar, depinde de diametru nominal

Temperatura:

-196°C pana la +600°C depinde de materiale.

Aplicatii operatorii:

Compensator pentru mecanisme termice si sisteme de conducte de orice tip. Cel mai utilizat in conducte subterane. Va rugam consultati-ne pentru detalii suplimentare



AYVAZ X-Pressed Expansion Joints designed so that the pressure is external to the convolutions. This type of construction eliminates squirm, thus long axial movements are made possible which could not be accommodated with an internally pressurized expansion joint. This type includes integral guide rings full thickness cover, self draining convolutions and insensitivity to flow direction. The integral guide-rings permit the designer to use less guides than would be required for internal pressured expansion joints. Thick cover is designed to contain the full line pressure of the system. The advantages of X-Pressed Expansion Joints for system designing is the most economical and the safety.

Construction:

Designed and manufactured fully in accordance with the respective "EJMA" standards and in conformity with the pressure and temperature ratings as per DIN 2401.

Materials:

Made of stainless steel according to DIN 17440. End connections either stainless steel or carbon steel. Other materials on request.

Connections:

Fixed flanges or welding ends.

Nominal diameters:

DN 25 (1") - DN 1500 (60")

Pressure ratings:

Up to max. 40 bar operation pressure depending on nominal diameter and operation temperature.

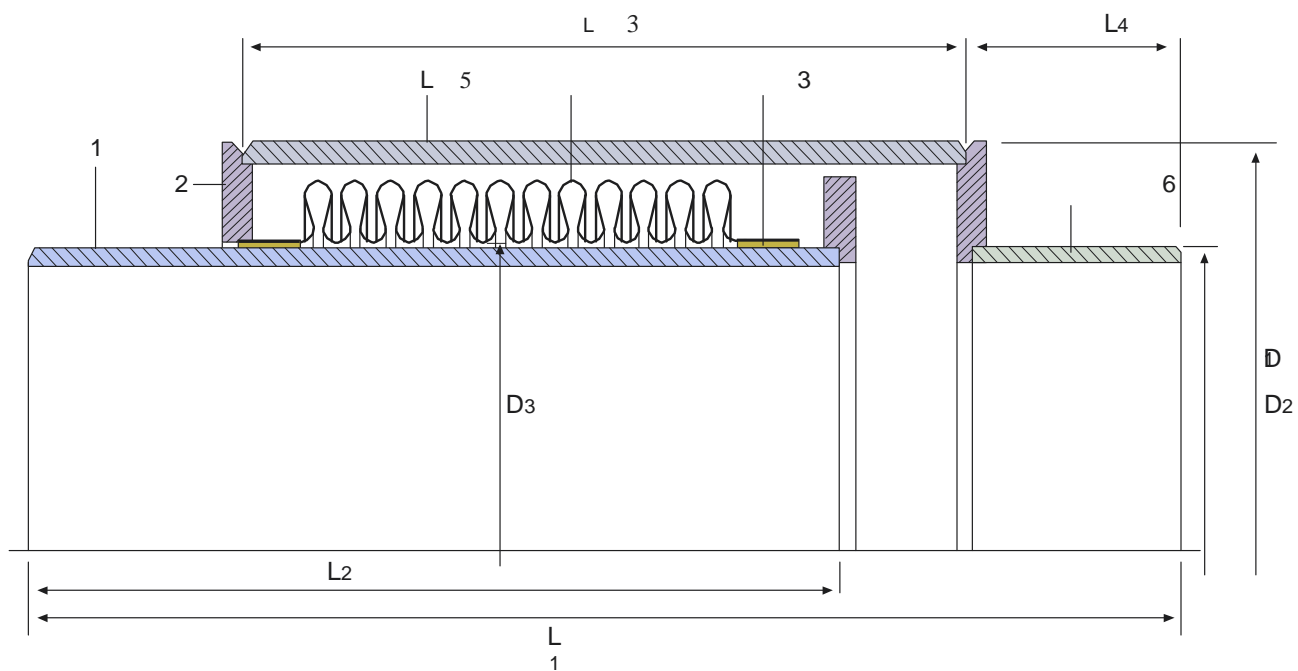
Temperature ranges:

- 196°C up to + 600°C depending on the material.

Operation applications:

Compensation of thermal and mechanical movements in pipelines of all kinds. Most common applications are underground pipelines. Please consult us for advice on specifications and installation.

Compensator cu presiune exterioare / X - PRESSED EXPANSION JOINTS



Parti componente / SPARE PARTS		
1	Tevi interne	otel carbonat / Carbon steel St 37.2
2	Flanse de conexiune	otel carbonat / Carbon steel St 37.2
3	Capete sudate	otel / Stainless steel AISI 304
4	Tevi externe	otel carbonat / Carbon steel St 37.2
5		otel / Stainless steel AISI 304
6	Capete sudate / Welding end	otel carbonat / Carbon steel St 37.2